

Job Name/Location:

Tag #:

Date:

| | | |
|------|----------|------------|
| For: | File | Resubmit |
| | Approval | Other_____ |

PO No.:

Architect: _____ GC: _____

Engr: _____ Mech: _____

Rep: _____
(Company) (Project Manager)

LV181HV4

Single Zone Vertical Air Handler Unit

Outdoor Unit (ODU) - LUU189HV Indoor Unit (IDU) - LVN181HV4



Performance:

Cooling:

| | |
|--------------------------------|-------------------------|
| Cooling (Min~Rated~Max, Btu/h) | 7,200 ~ 18,000 ~ 24,000 |
| SEER / EER | 19.2/13.3 |

SEER - Seasonal Energy Efficiency Ratio EER - Energy Efficiency Ratio

Heating:

| | |
|--------------------------------|-------------------------|
| Heating (Min~Rated~Max, Btu/h) | 8,000 ~ 20,000 ~ 24,000 |
| HSPF | 10.4 |

HSPF - Heating Seasonal Performance Factor

Cooling Nominal Test Conditions:

Indoor: 80°F DB / 67°F WB

Outdoor: 95°F DB / 75°F WB

Heating Nominal Test Conditions:

Indoor: 70°F DB / 60°F WB

Outdoor: 47°F DB / 43°F WB

Electrical:

| | |
|------------------------------------|------------------|
| Power Supply ¹ (V/Hz/Ø) | 208-230 / 60 / 1 |
|------------------------------------|------------------|

Outdoor Unit:

| | |
|---------------------------|--------------------|
| MOP (A) | 30 |
| MCA (A) | 20 |
| Cooling Rated Amps (A) | 16.2 |
| Compressor(A) | 13.5 |
| Fan Motor (IDU + ODU) (A) | 1.1 + 1.6 |
| Cooling Power Input (kW) | 0.45 ~ 1.35 ~ 3.25 |
| Heating Power Input (kW) | 0.50 ~ 1.73 ~ 2.37 |

MOP - Maximum Overcurrent Protection

MCA - Minimum Circuit Ampacity

Piping:

| | |
|--------------------------------------|---------|
| Liquid Line (in., O.D.) | 3/8 |
| Vapor Line (in., O.D.) | 5/8 |
| Additional Refrigerant (oz./ft.) | 0.43 |
| Max. Pipe Length ² (ft.) | 6.6/164 |
| Piping Length (no add'l refig., ft.) | 24.6 |
| Max. Elevation (ft.) | 98.4 |

Features:

- Hot start
- Inverter (variable speed fan)
- Auto restart
- Control lock
- W2 terminal connection
- Group control
- Timer (on/off)
- Sleep Mode
- Optional Wi-Fi Control
- Built in dry contact
- ECM (Electronically Commutated Motor) fan provides constant airflow regardless of permitted ESP (External Static Pressure)

Optional Accessories:

- MultiSITE™ CRC1 - PREMTBVC0
- MultiSITE CRC1+ - PREMTBVC1
- Thermostat Dry Contact- PDRYCB320
- RS3 Remote Controller- PREMTB100
- ACP 5 - PACP5A000
- Simple Controller - PREMTB00U
- Wi-Fi module with cable - PWFMD200
- Remote Button Temperature Sensor - ZRTBS01
- Low Ambient Kit (Cooling operation to -40°F)⁹ PAG-HS6/PAG-HS7/PQCA0 -Without PQCA0 (Baffles only) Cooling to -4°F
- Base Pan Heater - PQSH1200
- Dry Contact Unit (1 contact, 24 VAC external power) - PDRYCB100
- Dry Contact Unit (2 setpoint) PDRYCB400
- Electric Heater 3kW - ANEH033B1¹⁰
- Downflow Conversion Kit - PNDFJ0

For a complete list of available accessories, contact your LG representative.

For continual product development, LG reserves the right to change specifications without notice.

© LG Electronics Canada, Inc., North York, ON. All rights reserved. "LG Life's Good" is a registered trademark of LG Corp. /www.lgdfs.ca

Operating Range:

Outdoor Unit:

| | |
|-----------------|----------|
| Cooling (°F DB) | 5 to 118 |
| Heating (°F WB) | -4 to 64 |

Indoor Unit:

| | |
|-----------------|----------|
| Cooling (°F WB) | 57 to 77 |
| Heating (°F DB) | 59 to 81 |

System Data:

| | |
|------------------------------------------------------------|--------------|
| Refrigerant Type/Control | R410A/EEV |
| Refrigerant Charge (lbs.) | 3.75 |
| ODU Sound Pressure Max (Cool / Heat) ±1 dB(A) ³ | 48/52 |
| IDU Sound Pressure (H/M/L) ±1 dB(A) ³ | 35 / 33 / 30 |
| ODU Net Weight (lbs.) | 129 |
| ODU Shipping Weight (lbs.) | 141 |
| IDU Net Weight (lbs.) | 123.5 |
| IDU Shipping Weight (lbs.) | 135.1 |

Fan:

| | |
|--------------------------------------|------------------------------------------|
| ODU /IDU Fan Type | Propeller/Sirocco |
| Fan Speeds (Fan/Cool/Heat) | 3/3/3 |
| Fan Quantity (ODU + IDU) | 1 + 1 |
| Motor/Drive | Electronically Commutated Motor / Direct |
| Maximum ODU Air Volume (CFM) | 2,048 |
| IDU Air Volume Default (H/M/L) (CFM) | 640 / 580 / 480 |
| ESP Operating Range (in-wg) | 0.1 - 0.9 |
| Minimum IDU Air Flow Volume (CFM) | 432 |
| Maximum IDU Air Flow Volume (CFM) | 704 |
| Dehumidification Rate (pts/hr) | 3.1 |

Notes:

1. Acceptable operating voltage: 187V-253V.
2. Piping lengths are equivalent.
3. Sound Pressure levels are tested in an anechoic chamber under ISO Standard 3745.
4. All power/communication cable to be minimum 14 American wire gage (AWG), 4-conductor, stranded, shielded or unshielded wire and must comply with applicable local and national code. If shielded, the wire must be grounded to the chassis at the outdoor unit only.
5. Power wiring cable size must comply with the applicable local and national code.
6. The indoor unit comes with a dry helium charge.
7. This data is rated 0 ft. above sea level, with 25 ft. of refrigerant line and a 0 ft. level difference between outdoor and indoor units.
8. Must follow installation instructions in the applicable LG installation manual.
9. If the optional low ambient wind baffle (ZLABGP04A) is used, one wind baffle is required for each ODU fan.
10. Electric heater accessory available in 3kW, 5kW, 8kW, and 10kW capacities.
11. Controller not included.



SB_SZ_VAHU_LV181HV4_2019_09_11_160234

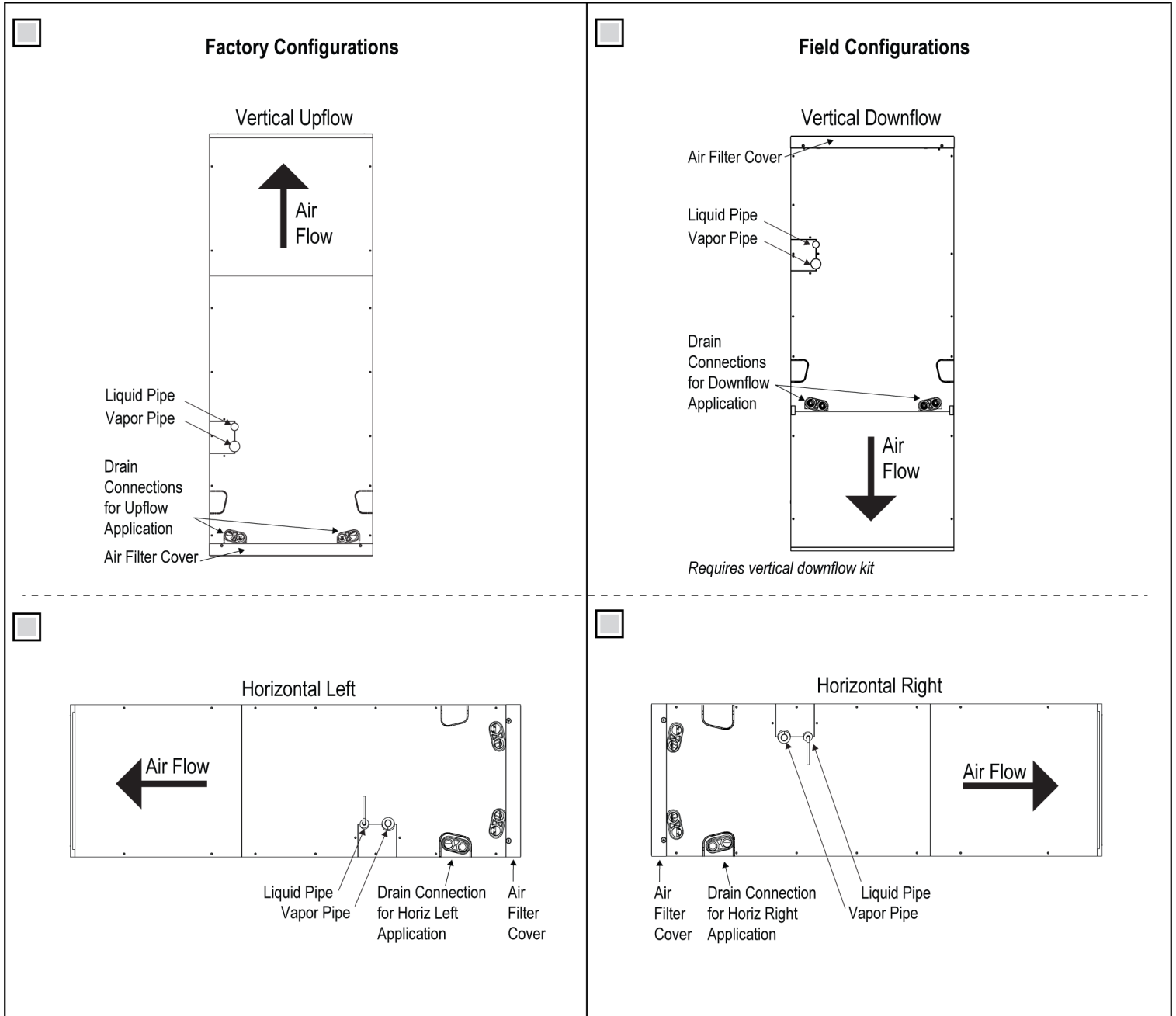
LUU189HV
Single Zone Vertical Air Handler Unit



Tag No.: _____

Date: _____

PO No.: _____



LUU189HV

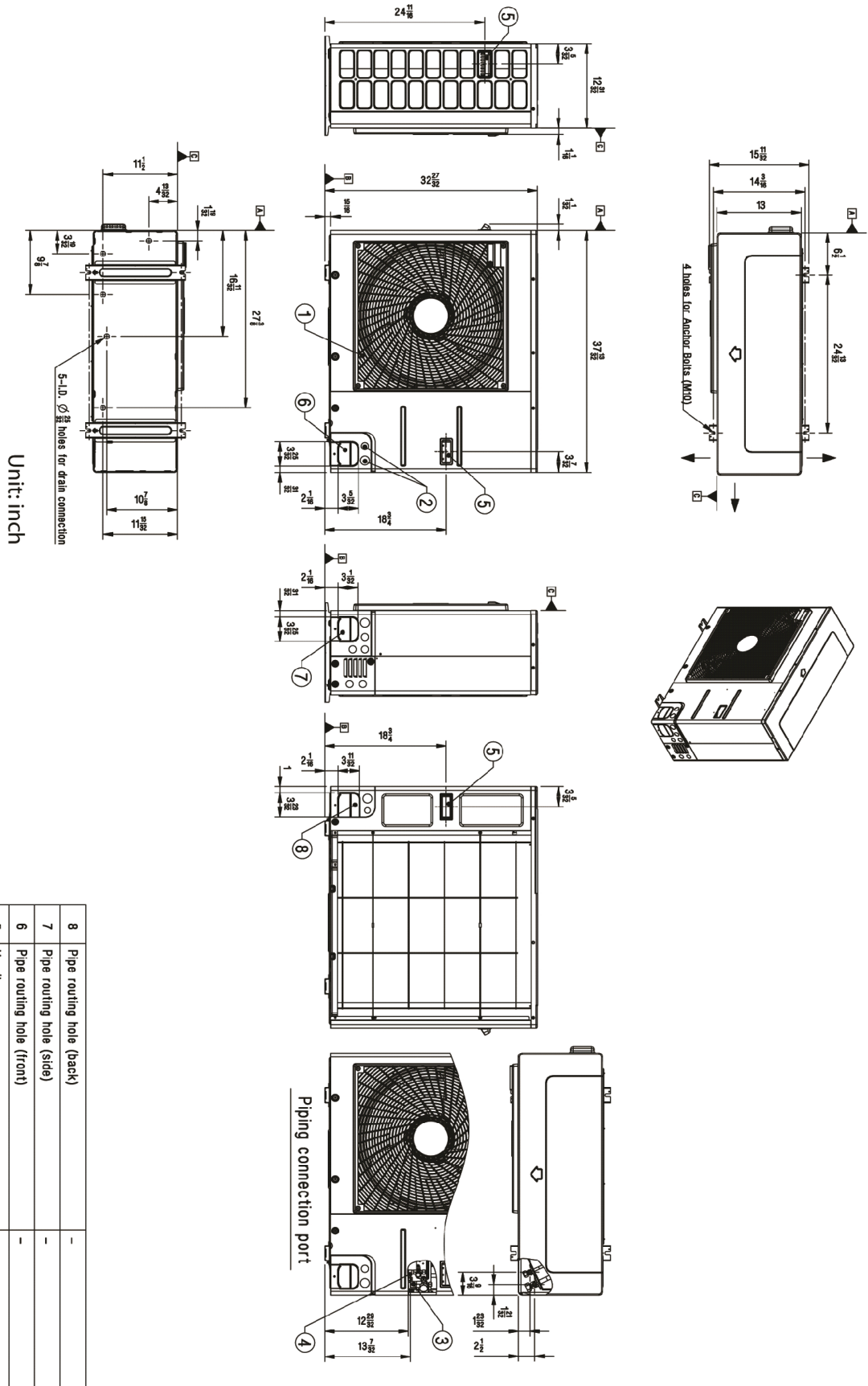
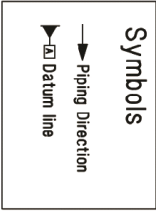
Single Zone Vertical Air Handler Unit



Tag No.: _____

Date: _____

PO No.: _____



| No. | Part Name | Description |
|-----|------------------------------------|-------------|
| 8 | Pipe routing hole (back) | - |
| 7 | Pipe routing hole (side) | - |
| 6 | Pipe routing hole (front) | - |
| 5 | Handle | - |
| 4 | Liquid Pipe Connection | Flare joint |
| 3 | Gas Pipe Connection | Flare joint |
| 2 | Power and communication cable Hole | - |
| 1 | Air Outlet | - |

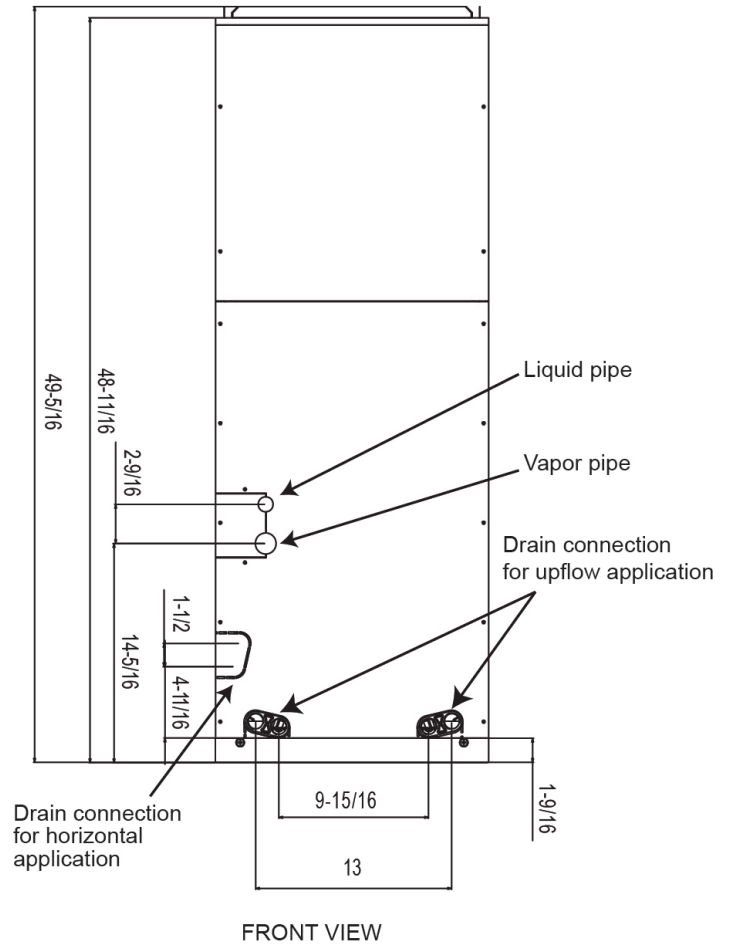
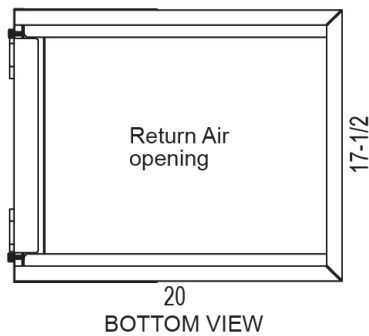
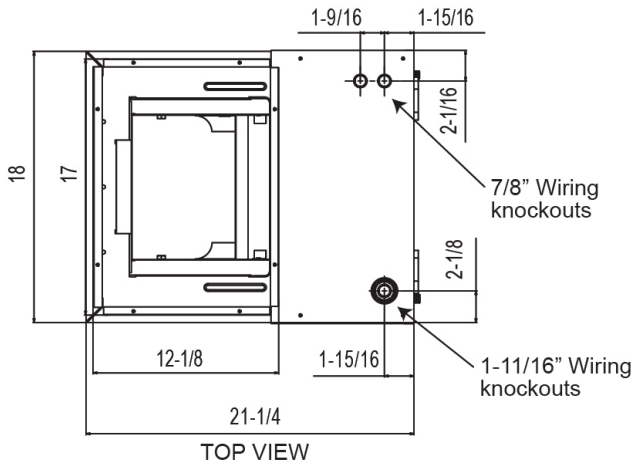
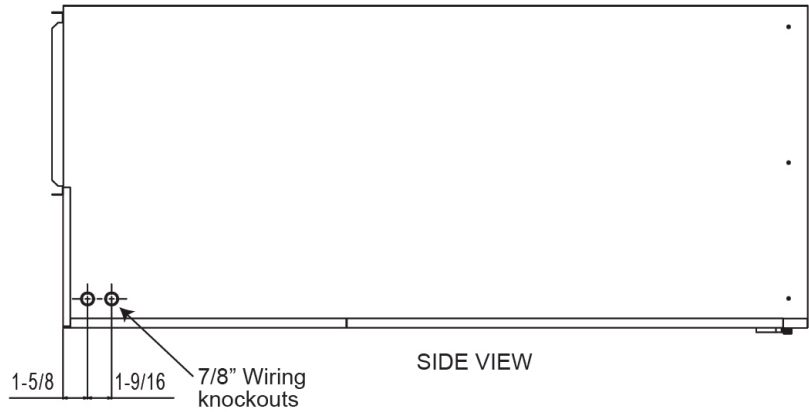
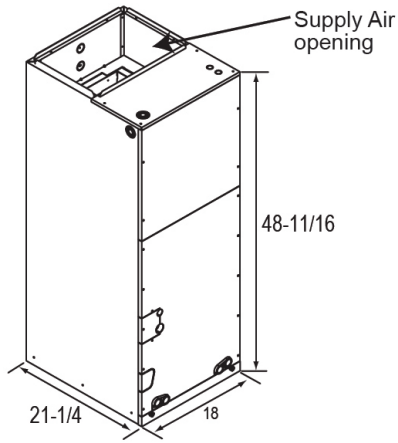
LVN181HV4
Single Zone Vertical Air Handler Unit



Tag No.: _____

Date: _____

PO No.: _____



Unit: inches
Note: All measurements have a tolerance of $\pm 1/4$ in.